

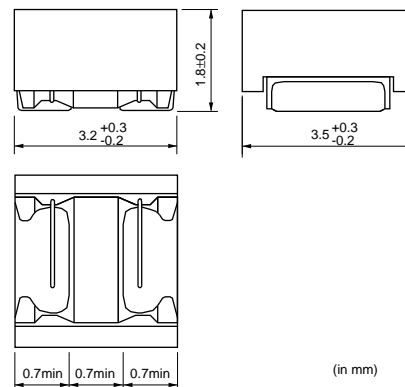
Chip Coils



for General Use Magnetic Shielded Type LQH3ER Series

■ Features

The LQH3ER series consists of magnetically shielded chip inductors. Its tight inductance tolerance of $\pm 2\%$ enables no adjustment of circuit. The shielding structure eliminates external interference and facilitates high mounting density.



Part Number	Inductance (μH)	Test Frequency (MHz)	Rated Current (mA)	DC Resistance (ohm)	Q (min.)	Test Frequency (MHz)	Self Resonance Frequency (MHz)	EIA
LQH3ERN1R0G01	1 ±2%	7.96	70	0.19 ±30%	60	7.96	120 min.	1214
LQH3ERN1R0J01	1 ±5%	7.96	70	0.19 ±30%	60	7.96	120 min.	1214
LQH3ERN1R2G01	1.2 ±2%	7.96	70	0.22 ±30%	60	7.96	100 min.	1214
LQH3ERN1R2J01	1.2 ±5%	7.96	70	0.22 ±30%	60	7.96	100 min.	1214
LQH3ERN1R5G01	1.5 ±2%	7.96	70	0.26 ±30%	60	7.96	80 min.	1214
LQH3ERN1R5J01	1.5 ±5%	7.96	70	0.26 ±30%	60	7.96	80 min.	1214
LQH3ERN1R8G01	1.8 ±2%	7.96	70	0.28 ±30%	60	7.96	70 min.	1214
LQH3ERN1R8J01	1.8 ±5%	7.96	70	0.28 ±30%	60	7.96	70 min.	1214
LQH3ERN2R2G01	2.2 ±2%	7.96	50	0.33 ±30%	60	7.96	60 min.	1214
LQH3ERN2R2J01	2.2 ±5%	7.96	50	0.33 ±30%	60	7.96	60 min.	1214
LQH3ERN2R7G01	2.7 ±2%	7.96	50	0.39 ±30%	60	7.96	55 min.	1214
LQH3ERN2R7J01	2.7 ±5%	7.96	50	0.39 ±30%	60	7.96	55 min.	1214
LQH3ERN3R3G01	3.3 ±2%	7.96	50	0.43 ±30%	60	7.96	50 min.	1214
LQH3ERN3R3J01	3.3 ±5%	7.96	50	0.43 ±30%	60	7.96	50 min.	1214
LQH3ERN3R9G01	3.9 ±2%	7.96	50	0.45 ±30%	60	7.96	45 min.	1214
LQH3ERN3R9J01	3.9 ±5%	7.96	50	0.45 ±30%	60	7.96	45 min.	1214
LQH3ERN4R7G01	4.7 ±2%	7.96	30	0.52 ±30%	60	7.96	40 min.	1214
LQH3ERN4R7J01	4.7 ±5%	7.96	30	0.52 ±30%	60	7.96	40 min.	1214
LQH3ERN5R6G01	5.6 ±2%	7.96	30	0.56 ±30%	60	7.96	37 min.	1214
LQH3ERN5R6J01	5.6 ±5%	7.96	30	0.56 ±30%	60	7.96	37 min.	1214
LQH3ERN6R8G01	6.8 ±2%	7.96	30	0.62 ±30%	60	7.96	35 min.	1214
LQH3ERN6R8J01	6.8 ±5%	7.96	30	0.62 ±30%	60	7.96	35 min.	1214
LQH3ERN8R2G01	8.2 ±2%	7.96	30	0.69 ±30%	60	7.96	32 min.	1214
LQH3ERN8R2J01	8.2 ±5%	7.96	30	0.69 ±30%	60	7.96	32 min.	1214
LQH3ERN100G01	10 ±2%	2.52	15	0.94 ±30%	70	2.52	30 min.	1214
LQH3ERN100J01	10 ±5%	2.52	15	0.94 ±30%	70	2.52	30 min.	1214
LQH3ERN120G01	12 ±2%	2.52	15	1.1 ±30%	70	2.52	27 min.	1214
LQH3ERN120J01	12 ±5%	2.52	15	1.1 ±30%	70	2.52	27 min.	1214
LQH3ERN150G01	15 ±2%	2.52	15	1.2 ±30%	70	2.52	25 min.	1214
LQH3ERN150J01	15 ±5%	2.52	15	1.2 ±30%	70	2.52	25 min.	1214
LQH3ERN180G01	18 ±2%	2.52	15	1.3 ±30%	70	2.52	23 min.	1214
LQH3ERN180J01	18 ±5%	2.52	15	1.3 ±30%	70	2.52	23 min.	1214
LQH3ERN220G01	22 ±2%	2.52	10	1.5 ±30%	70	2.52	20 min.	1214
LQH3ERN220J01	22 ±5%	2.52	10	1.5 ±30%	70	2.52	20 min.	1214
LQH3ERN270G01	27 ±2%	2.52	10	1.7 ±30%	70	2.52	18 min.	1214
LQH3ERN270J01	27 ±5%	2.52	10	1.7 ±30%	70	2.52	18 min.	1214
LQH3ERN330G01	33 ±2%	2.52	10	2.4 ±30%	80	2.52	16 min.	1214
LQH3ERN330J01	33 ±5%	2.52	10	2.4 ±30%	80	2.52	16 min.	1214

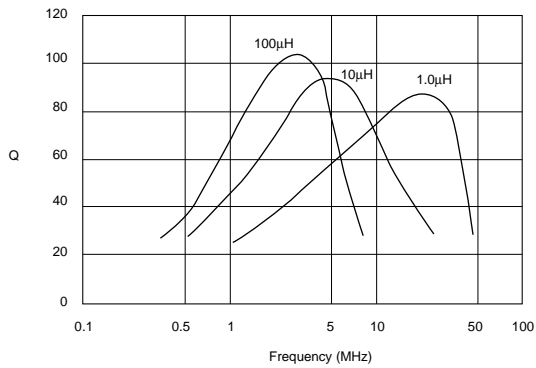
Continued on the following page.

Continued from the preceding page.

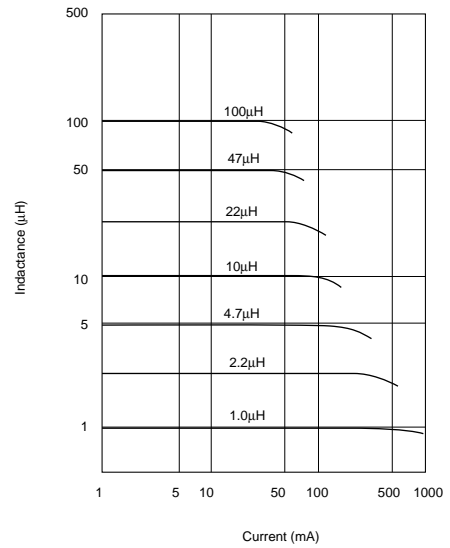
Part Number	Inductance (μH)	Test Frequency (MHz)	Rated Current (mA)	DC Resistance (ohm)	Q (min.)	Test Frequency (MHz)	Self Resonance Frequency (MHz)	EIA
LQH3ERN390G01	39 ±2%	2.52	10	2.6 ±30%	80	2.52	15 min.	1214
LQH3ERN390J01	39 ±5%	2.52	10	2.6 ±30%	80	2.52	15 min.	1214
LQH3ERN470G01	47 ±2%	2.52	10	3.0 ±30%	80	2.52	14 min.	1214
LQH3ERN470J01	47 ±5%	2.52	10	3 ±30%	80	2.52	14 min.	1214
LQH3ERN560G01	56 ±2%	2.52	10	3.3 ±30%	80	2.52	13 min.	1214
LQH3ERN560J01	56 ±5%	2.52	10	3.3 ±30%	80	2.52	13 min.	1214
LQH3ERN680G01	68 ±2%	2.52	10	5.3 ±30%	80	2.52	12 min.	1214
LQH3ERN680J01	68 ±5%	2.52	10	5.3 ±30%	80	2.52	12 min.	1214
LQH3ERN820G01	82 ±2%	2.52	10	5.8 ±30%	80	2.52	11 min.	1214
LQH3ERN820J01	82 ±5%	2.52	10	5.8 ±30%	80	2.52	11 min.	1214
LQH3ERN101G01	100 ±2%	2.52	10	6.6 ±30%	80	2.52	10 min.	1214
LQH3ERN101J01	100 ±5%	2.52	10	6.6 ±30%	80	2.52	10 min.	1214

Operating Temp. Range : -25°C to 85°C

Q-Frequency Characteristics



Inductance-Current Characteristics



Coupling Coefficient

